

COMPACT VALVE - 1/2

Series DS2

Cat No DS2 - 02 - 09

COMPACT VALVE - NPT 1/2 (G1/2)

Features

- ❑ Suitable for manifold mounting
- ❑ Mounting provision for individual unit
- ❑ Compact size
- ❑ Manual override
- ❑ Wide range of manifolds available
- ❑ Wide range of coil voltages

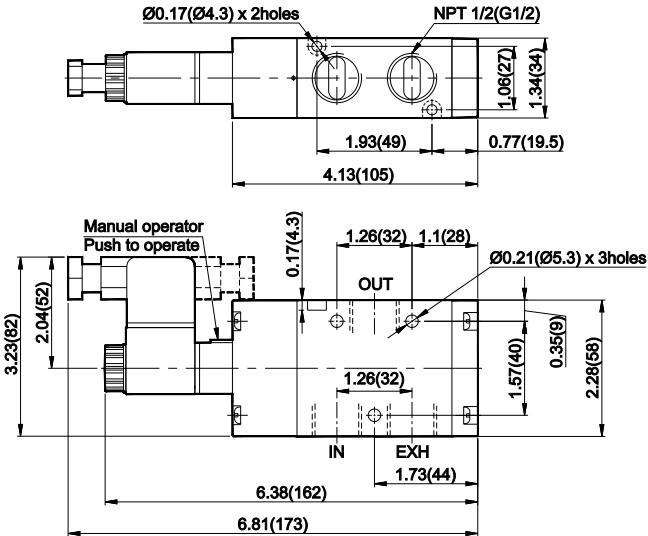


Technical Specifications

Model	DS2
Type	3/2, 5/2, 5/3
Design	Spool type
Port Size	Inlet, Outlet, Exhaust - NPT 1/2 (G1/2), External pilot - NPT 1/8 (G1/8)
Medium	Compressed air - Dry, filtered, lubricated
Working Pressure range in psi (bar)	30 - 145 (2 - 10)
External pilot pressure (ER model) in psi (bar)	30 - 60 (2 - 4)
Recommended oil for lubrication	ISO VG32 (Servo system 32)
Ambient / Medium temperature	41° - 140° F (5° - 60° C)
Flow rate in scfm (NI/min) @	122.5 (3500)
Materials of construction	Aluminium, Nitrile, Brass, Acetal, PBT, Zinc
Electrical	
Coil width in Inch (mm)	0.87 (22)
Voltage (V) ± 10%	AC (50 Hz) - 24, 48, 110, 220
	DC - 12, 24, 48, 110
Power consumption	AC - 6 VA, DC - 5 W
Duty cycle	Continuous
Class of insulation	Class F
Type of coil protection	IP65

@ Supply pressure 87 psi (6 bar), Pressure drop Δp = 14.5 psi (1bar)

3 / 2 Single Solenoid pilot operated valve with spring return



1 - Inlet, 2 - Outlet, 3 - Exhaust

Ordering No*	NPT	DS237SR93	DS247SR93
	G	(DS237SR63)	(DS247SR63)
Type		Normally open	Normally closed
Symbol			

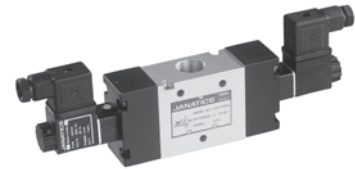
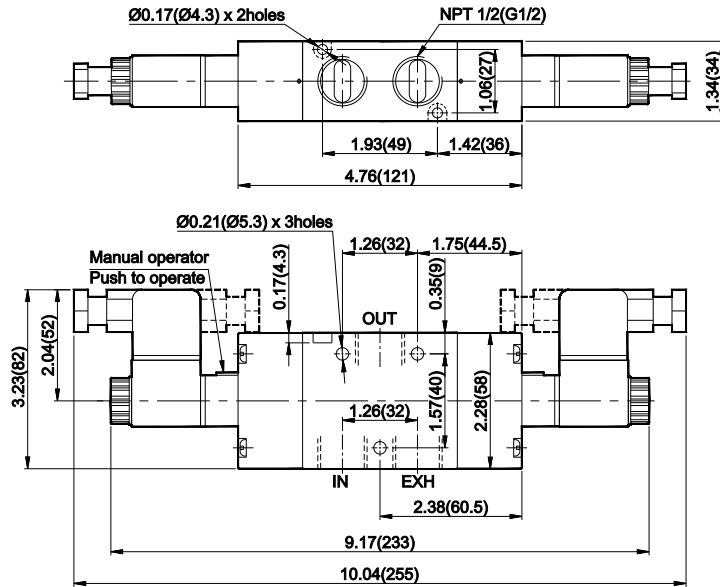
* For ordering No, voltage to be added. Refer page no. 2.3.27
Note: All the dimensions are in Inch (mm)

COMPACT VALVE - 1/2

Series DS2

Cat No DS2 - 02 - 09

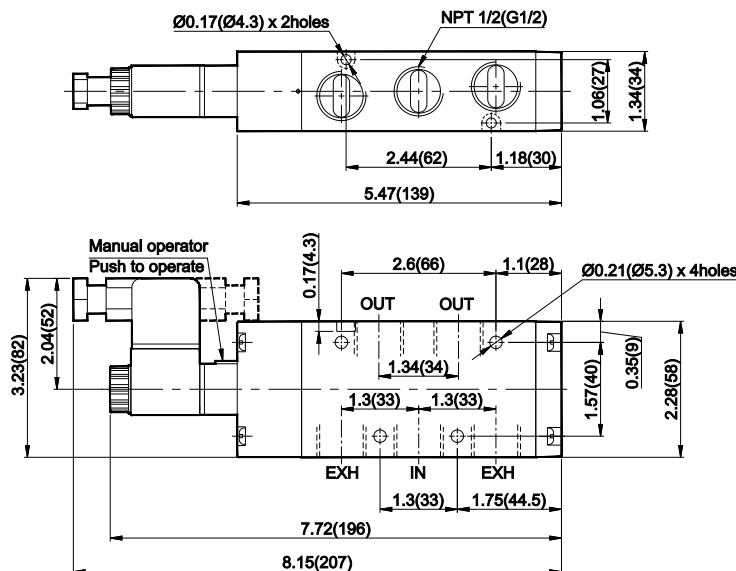
3 / 2 Double solenoid pilot operated valve



1 - Inlet, 2 - Outlet, 3 - Exhaust

Ordering No*	NPT	DS237SS93	DS247SS93
	G	(DS237SS63)	(DS247SS63)
Type		Normally open	Normally closed
Symbol			

5 / 2 Single solenoid pilot operated valve with spring return



1 - Inlet, 2,4 - Outlet, 3,5 - Exhaust

Ordering No*	NPT	DS257SR93
	G	(DS257SR63)
Symbol		

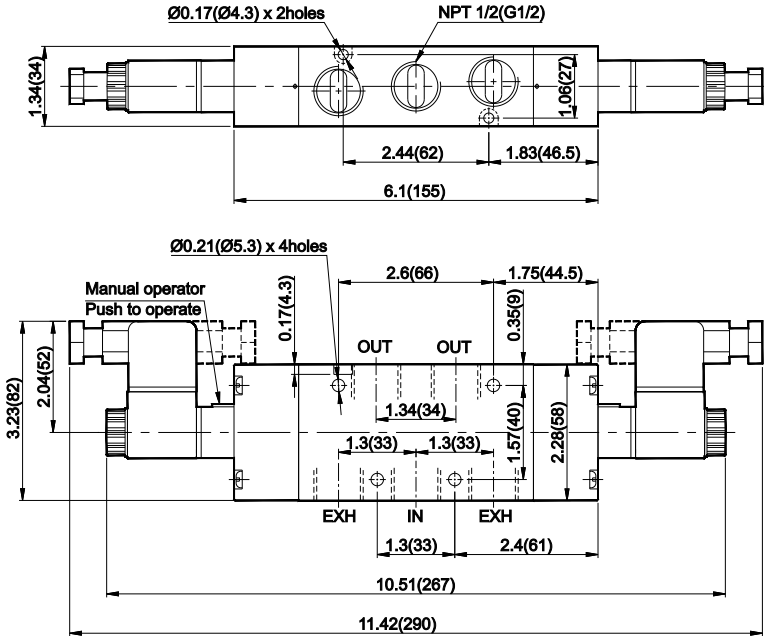
* For ordering No, voltage to be added. Refer page no. 2.3.27
Note: All the dimensions are in Inch (mm)

COMPACT VALVE - 1/2

Series DS2

Cat No DS2 - 02 - 09

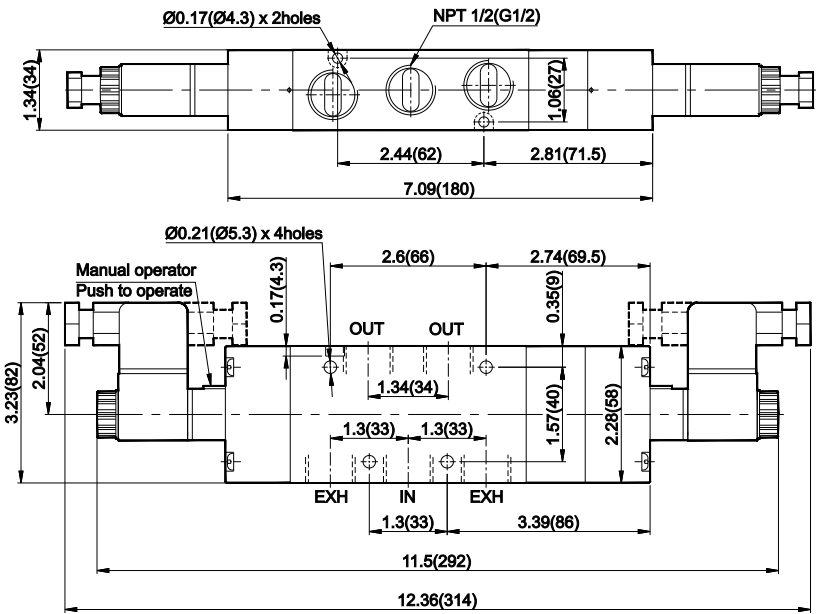
5 / 2 Double solenoid pilot operated valve



1 - Inlet, 2,4 - Outlet, 3,5 - Exhaust

Ordering No*	NPT	DS257SS93
	G	(DS257SS63)
Symbol		

5 / 3 Double solenoid pilot operated valve with spring centered



1 - Inlet, 2,4 - Outlet, 3,5 - Exhaust

Ordering No*	NPT	DS267SC93	DS277SC93	DS287SC93
	G	(DS267SC63)	(DS277SC63)	(DS287SC63)
Type	Blocked		Exhausted	Energised
Symbol				

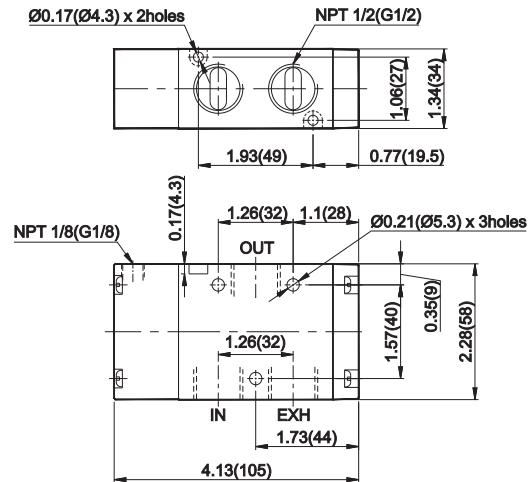
* For ordering No, voltage to be added. Refer page no. 2.3.27
Note: All the dimensions are in Inch (mm)

COMPACT VALVE - 1/2

Series DS2

Cat No DS2 - 02 - 09

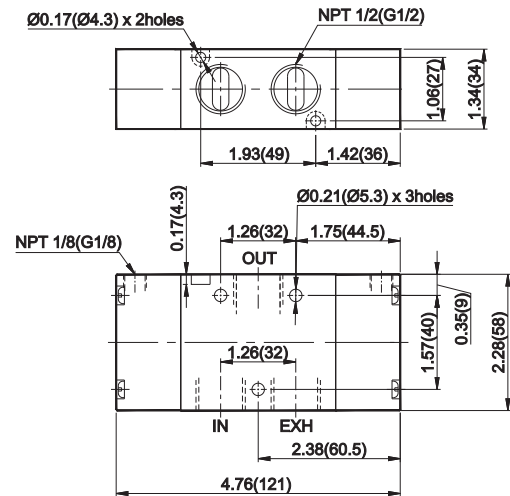
3 / 2 Single External pilot operated valve with spring return



1 - Inlet, 2 - Outlet, 3 - Exhaust 14 - External pilot

Ordering No	NPT	DS237ER93	DS247ER93
	G	(DS237ER63)	(DS247ER63)
Type		Normally open	Normally closed
Symbol			

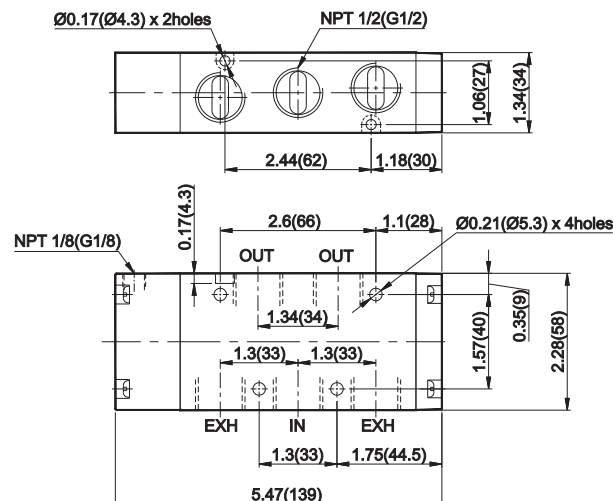
3 / 2 Double External pilot operated valve



1 - Inlet, 2 - Outlet, 3 - Exhaust 14,12 - External pilot

Ordering No	NPT	DS237EE93	DS247EE93
	G	(DS237EE63)	(DS247EE63)
Type		Normally open	Normally closed
Symbol			

5 / 2 Single External pilot operated valve with spring return



1 - Inlet, 2,4 - Outlet, 3,5 - Exhaust, 14,12 - External pilot

Ordering No	NPT	DS257ER93
	G	(DS257ER63)
Symbol		

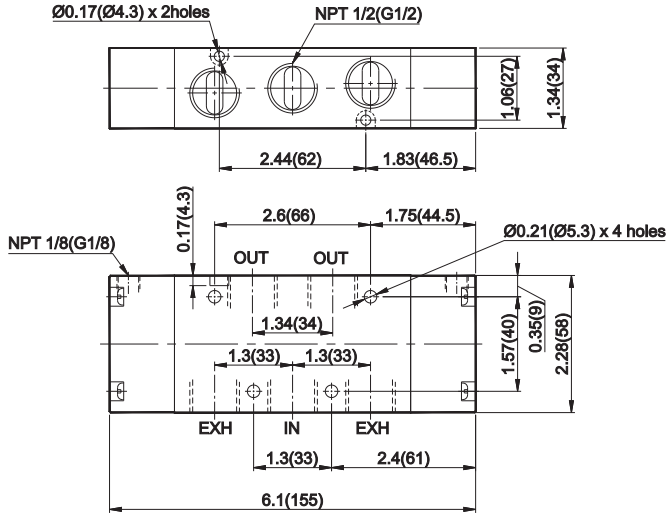
Note: All the dimensions are in Inch (mm)

COMPACT VALVE - 1/2

Series DS2

Cat No DS2 - 02 - 09

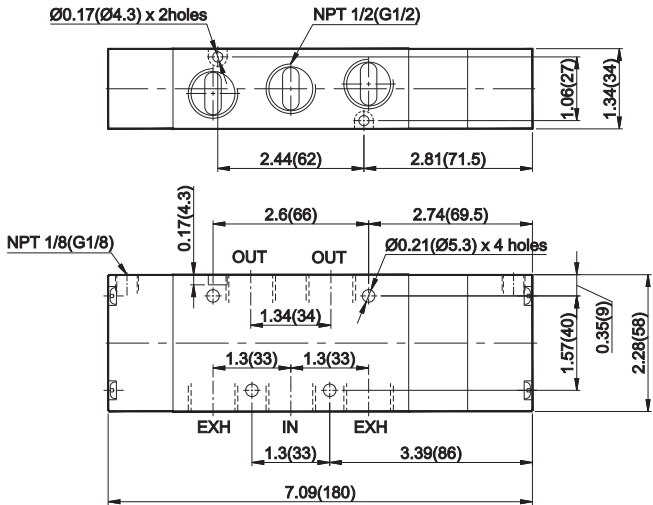
5 / 2 Double External pilot operated valve



1 - Inlet, 2,4 - Outlet, 3,5 - Exhaust, 14,12 - External pilot

Ordering No	NPT	DS257EE93
	G	(DS257EE63)
Symbol		

5 / 3 Double External pilot operated valve with spring centered



1 - Inlet, 2,4 - Outlet, 3,5 - Exhaust, 14,12 - External pilot

Ordering No	NPT	DS267EC93	DS277EC93	DS287EC93
	G	(DS267EC63)	(DS277EC63)	(DS287EC63)
Type	Blocked		Exhausted	Energised
Symbol				

Note: All the dimensions are in Inch (mm)

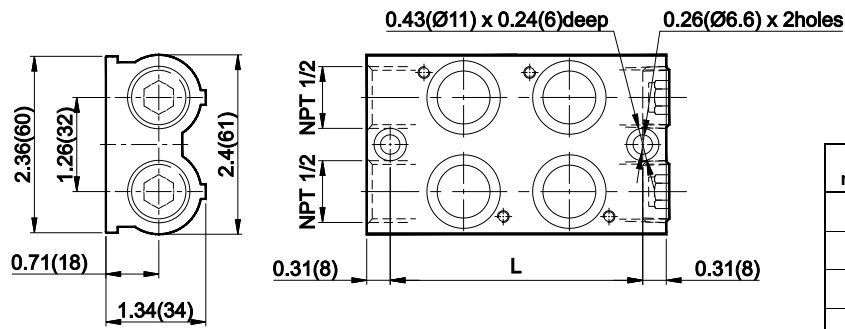
COMPACT VALVE - 1/2

Series DS2

Cat No DS2 - 02 - 09

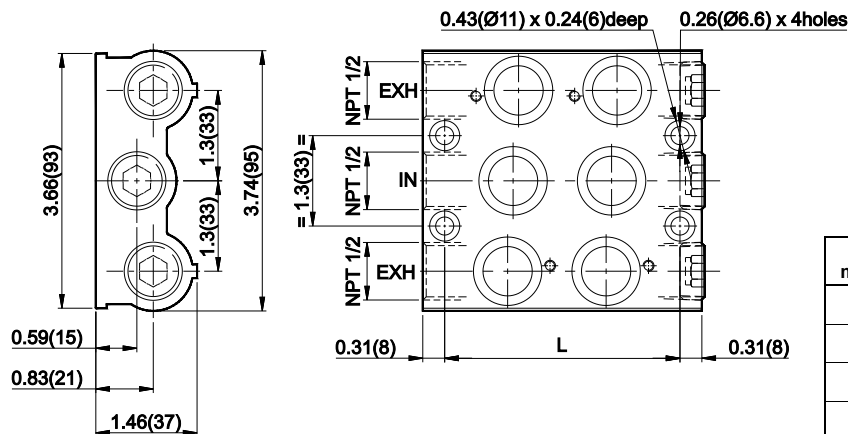
MANIFOLDS FOR COMPACT VALVE

Manifold - Type M051 (for 3/2 valves)



For mounting		L	Ordering no
2 valves	Inch (mm)	3.39 (86)	M0511602
4 valves	Inch (mm)	6.22 (158)	M0511604
6 valves	Inch (mm)	9.06 (230)	M0511606
8 valves	Inch (mm)	11.89 (302)	M0511608

Manifold - Type M003 (for 5/2, 5/3 valves)



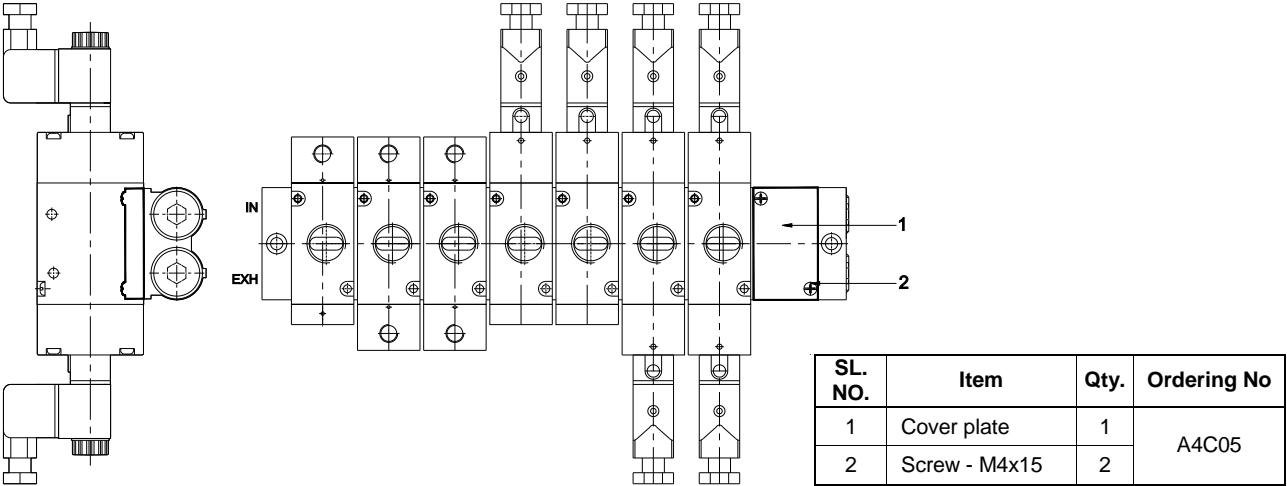
For mounting		L	Ordering no
2 valves	Inch (mm)	3.39 (86)	M0031602
4 valves	Inch (mm)	6.22 (158)	M0031604
6 valves	Inch (mm)	9.06 (230)	M0031606
8 valves	Inch (mm)	11.89 (302)	M0031608

COMPACT VALVE - 1/2
Series DS2

Cat No DS2 - 02 - 09

ACCESSORIES FOR COMPACT VALVE

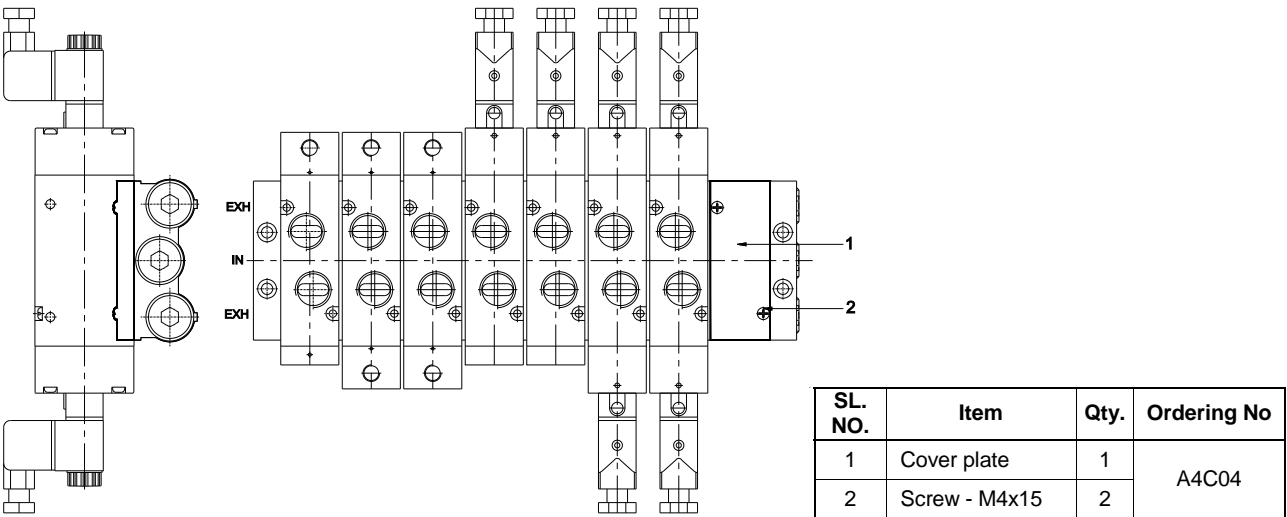
Cover plate assembly for Manifold Type M051



Application:

The cover plate assembly can be used to plug the unutilised position in a manifold. For eg., if it is required to mount only 7 valves on manifold no. M0511608, the eighth position can be plugged and made dummy using a cover plate assembly. (refer picture above)

Cover plate assembly for Manifold Type M003



Application:

The cover plate assembly can be used to plug the unutilised position in a manifold. For eg., if it is required to mount only 7 valves on manifold no. M0031608, the eighth position can be plugged and made dummy using a cover plate assembly. (refer picture above)

COMPACT VALVE - 1/2

Series DS2

Cat No DS2 - 02 - 09

How to order

1. Solenoid valve + “ Connectors without LED ”

While ordering Solenoid operated valves, please mention the suffix given below along with the model number to indicate the required voltage

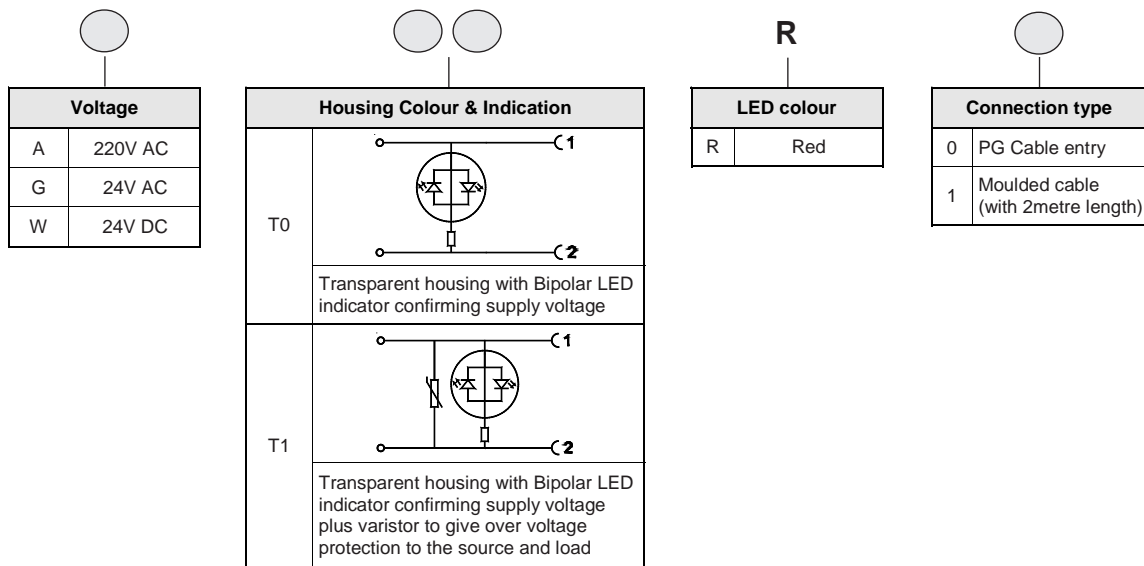
A	220V AC	Q	110V D C
B	110V AC	S	48V D C
D	48V AC	W	24V D C
G	24V AC	R	12V D C

Example

- The ordering no. for 3/2 NC Single solenoid valve, 24V D.C coil with PG cable is **DS247SR93-W**
- The ordering no. for 3/2 NC Single solenoid valve, 24V D.C coil with Moulded cable is **DS247SR93-W1**

2. Solenoid valve + “ Connectors with LED ”

While ordering Solenoid operated valves with LED connectors, given below in the corresponding tables.



Example

The Ordering no for 3/2 NC Single solenoid valve (NPT 1/2), 24V DC, connectors with LED of Transparent colour housing with Bipolar LED and varistor, Red colour LED with moulded cable : **DS247SR93-WT1R1**

Coil spare ordering no.

Coil (without socket)	Ordering no.	
	AC	DC
220	AC23A	- NA -
110	AC23B	DC24Q
48	AC23D	DC24S
24	AC23G	DC24W
12	- NA -	DC24R